



Spare parts list

(11336200) G 2000 ET

2006 04

91393540

www.kaercher.com

EN

CONTENT LIST

1.0 Frame

2.0 PUMP SET

2.1 CYLINDER HEAD

2.2 PISTON

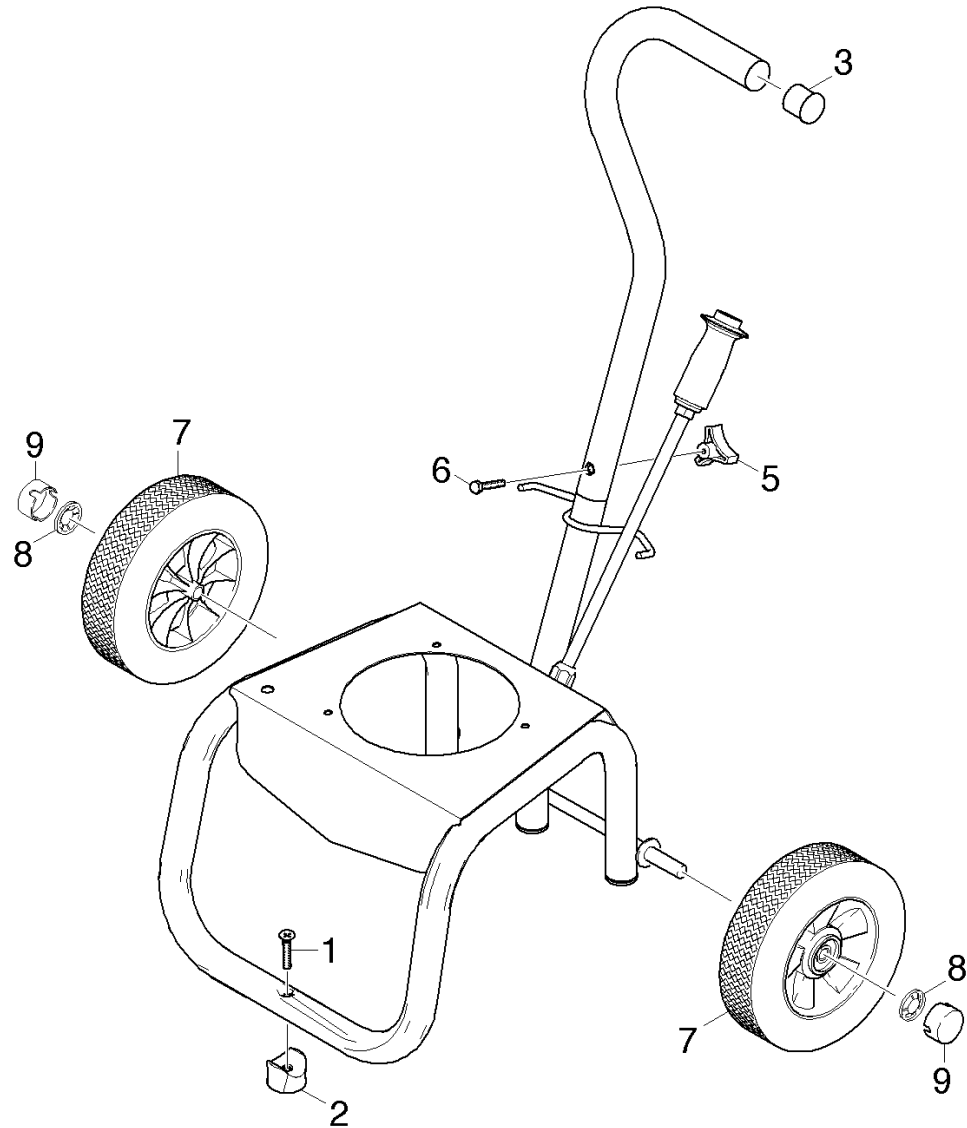
3.0 MOTOR

3.1 MOTOR

3.2 ACTUATION

4.0 Accessories

1.0 Frame



1.0 Frame

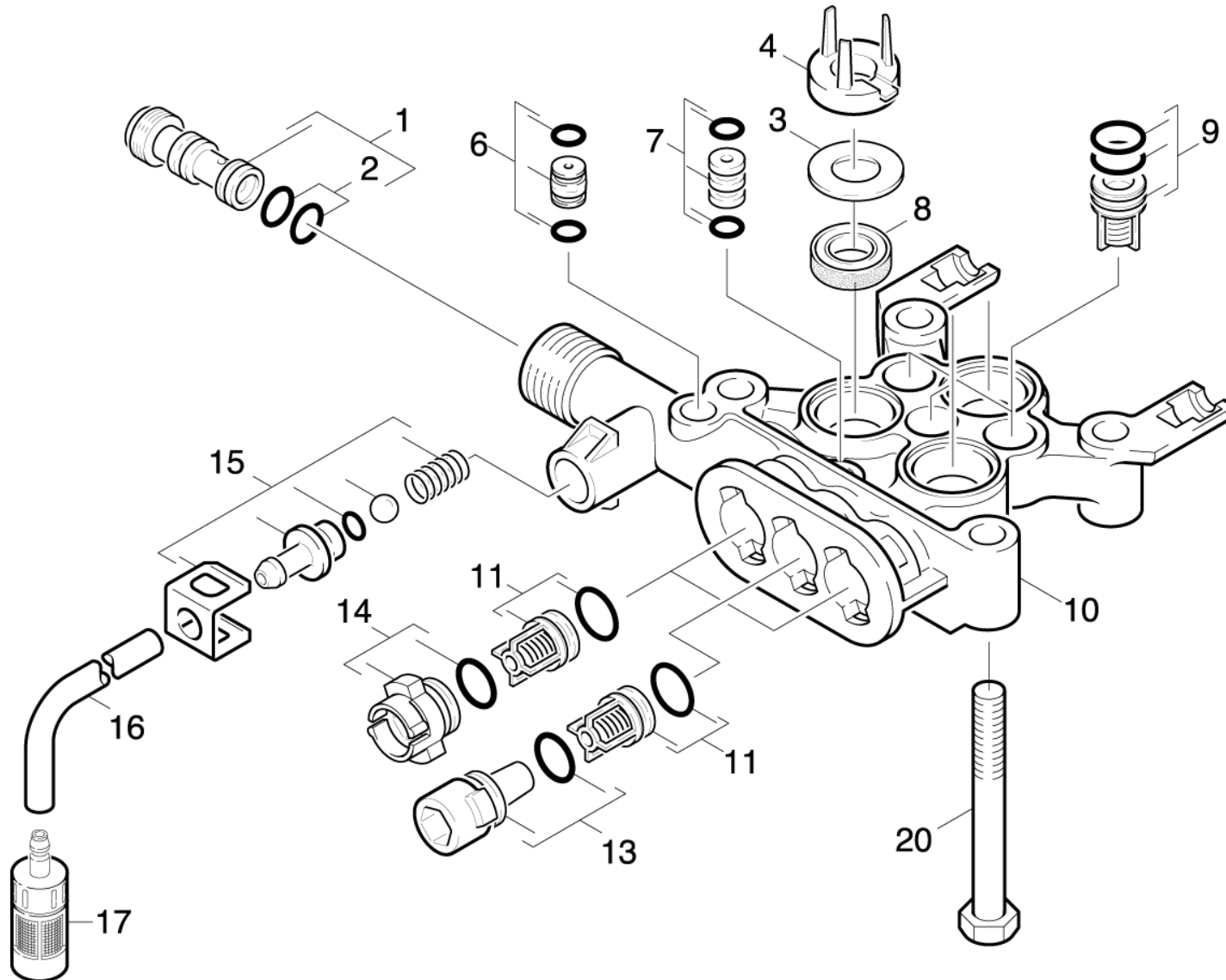
POS	DESCRIPTION ADDITIONAL INFORMATIONS	PART NO	QTY.	FROM SER.NR.	UP TO SER. NR.
1	FLAT HEAD M/S 5/16-18X1-1/2"	91960300	2		
2	RUBBER DAMPENER	91834080	1		
3	BLACK,PLUG PLASTIC	91830010	2		
5	KNOB 1/4"-20,3PT. STAR	91823530	2		
6	1/4-20 x 1-1/2 GR 2 HEX BOLT ZINC	91963070	2		
7	WHEEL 8"x 1,75"	91890040	2		
8	C1060-C070 QUICK WASHER THRU	63431810	2		
9	WHEEL CAP	64352210	2		

2.0 PUMP SET

2.1 CYLINDER HEAD
2.2 PISTON



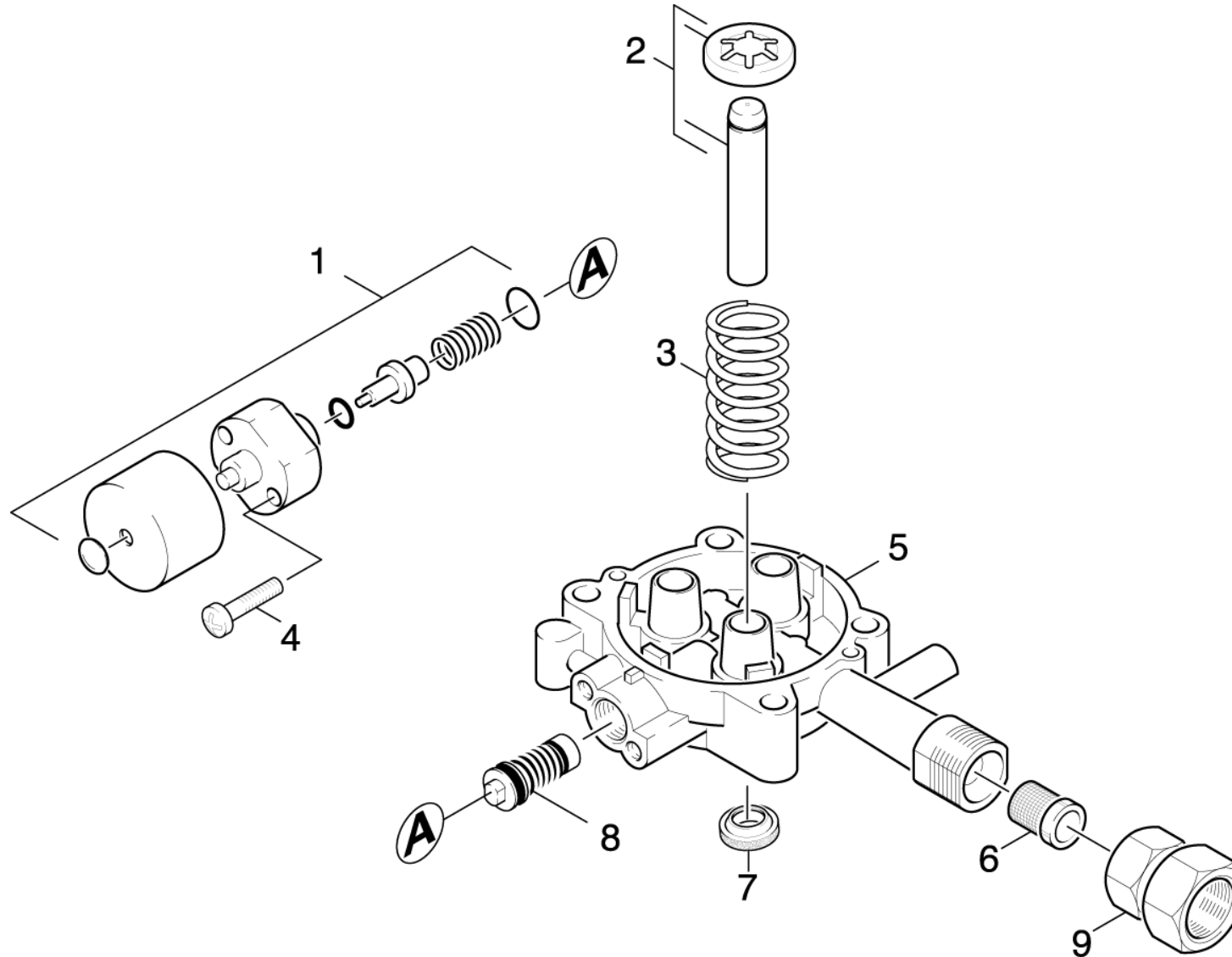
2.1 CYLINDER HEAD



2.1 CYLINDER HEAD

POS	DESCRIPTION ADDITIONAL INFORMATIONS	PART NO	QTY.	FROM SER.NR.	UP TO SER. NR.
1	Nozzle insert only for replacement	47690340	1		
2	O-Ring seal 9,0 x 1,5	63623840	2		
3	WASHER	51157210	3		
4	WASHER	51159030	3		
6	Throttle complete	40301090	1		
7	JOINING PIECE	40300450	1		
8	GROOVED RING 12X20X5.3/2.8	63653940	3		
9	VALVE	45803300	3		
10	Cylinder head	55502600	1		
11	Valve (3 Stueck)	28848730	3		
13	PLUG KPL	41320110	1		
14	PLUG	41320100	1		
15	Spare part set	28831580	1		
16	Hose DN 5	63882160	1		
	TO ORDER AS CUT GOODS				
17	Filter chemistry regulation	48620320	1		
20	Hexagonal head screw M 8x75-8.8-A2E ISO	73044030	4		
100	Spare part set pump set -777	28842050	1		

2.2 PISTON



2.2 PISTON

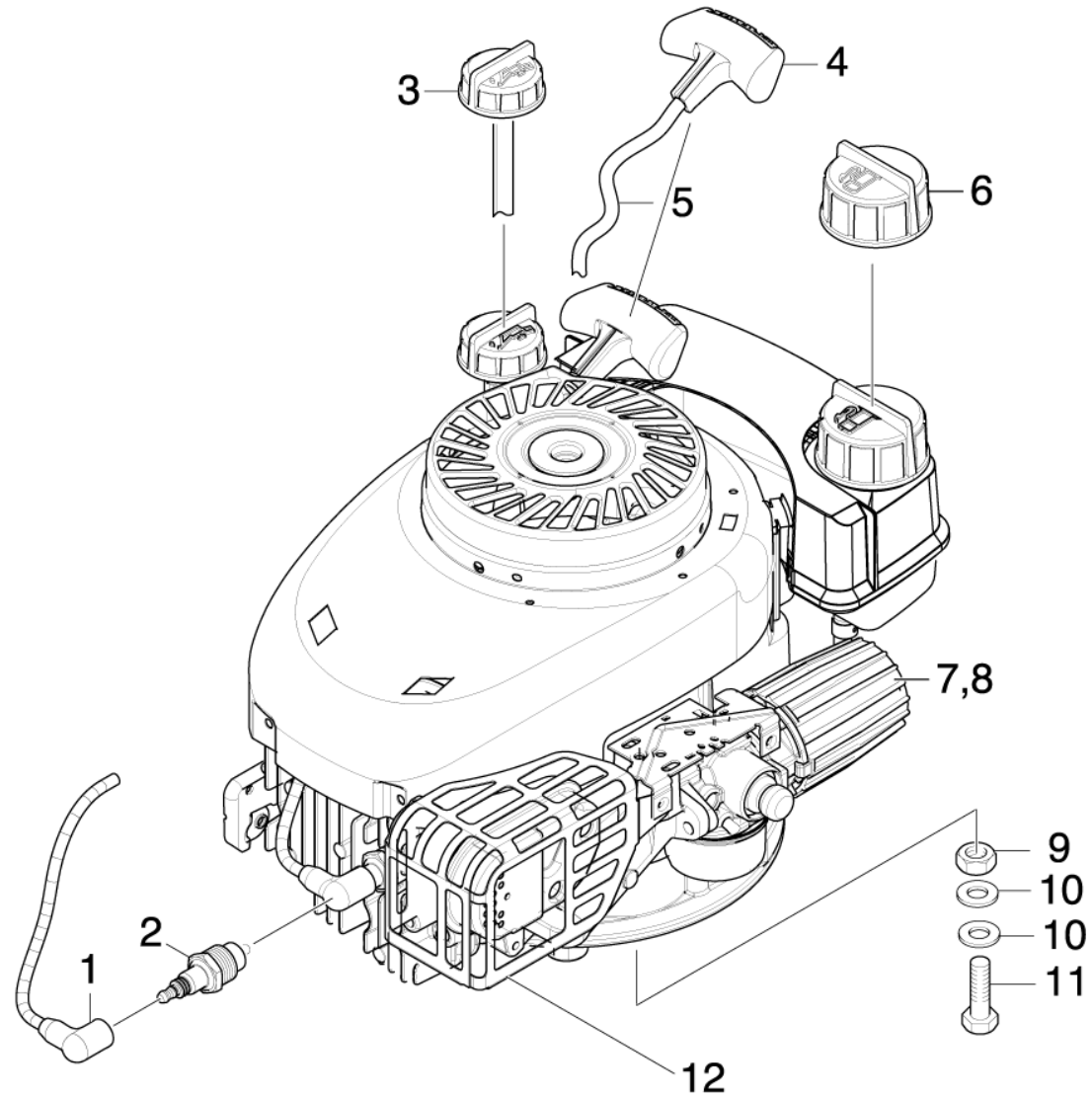
POS	DESCRIPTION ADDITIONAL INFORMATIONS	PART NO	QTY.	FROM SER.NR.	UP TO SER. NR.
1	VALVE 60 GRD	45803600	1		
2	PISTON KPL.	45532150	3		
3	Pressure spring	53323910	3		
4	Screw M6x30 -St-R3R (In6Rd)	73030660	2		
5	PISTON GUIDANCE	50608380	1		
6	FILTER	64142520	1		
7	Oil sealing 12x20x4/6	63653930	3		
8	SPILL VALVE	45910400	1		
9	SWIVEL ADAPTOR G-3/4 W/2-WASHERS	91540090	1		

3.0 MOTOR

3.1 MOTOR
3.2 ACTUATION



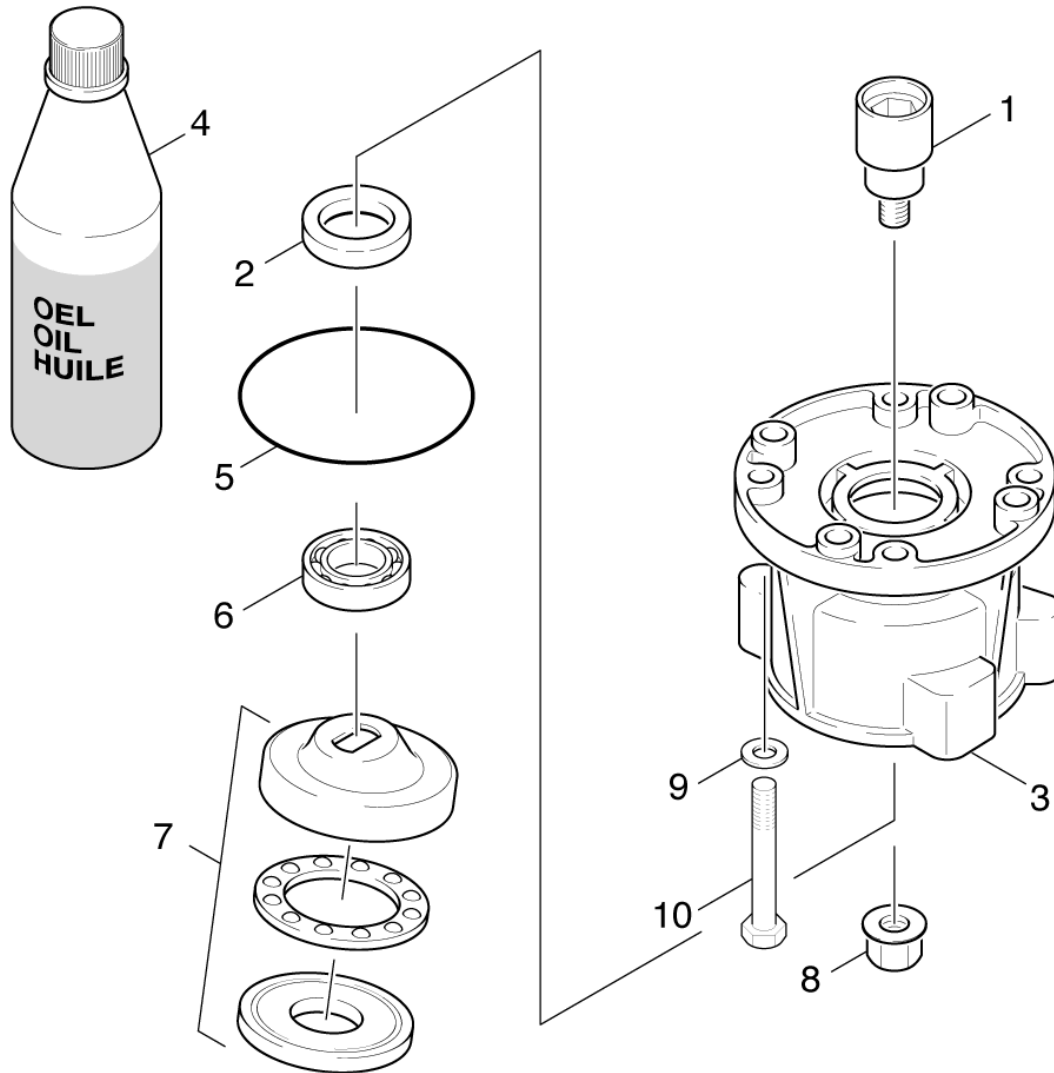
3.1 MOTOR



3.1 MOTOR

POS	DESCRIPTION ADDITIONAL INFORMATIONS	PART NO	QTY.	FROM SER.NR.	UP TO SER. NR.
1	Spark plug wire assembly	91948880	1		
2	Spark plug	91948960	1		
3	Oil fill plug with dipstick	91948970	1		
4	Pull cord handle	91948900	1		
5	Pull cord assembly	91948980	1		
6	Fuel fill cap	91948990	1		
7	Air filter cover	91949000	1		
8	Air filter	91949010	1		
9	5/16-18 NE NYLON INSERT L/N ZC 5UM	91970020	3		
10	Stockpiling discontinued	77779990	6		
11	5/16-18 X 1-1/2 GR 5 HHCS ZINC	91860100	3		
12	Muffler Guard	91949020	1		

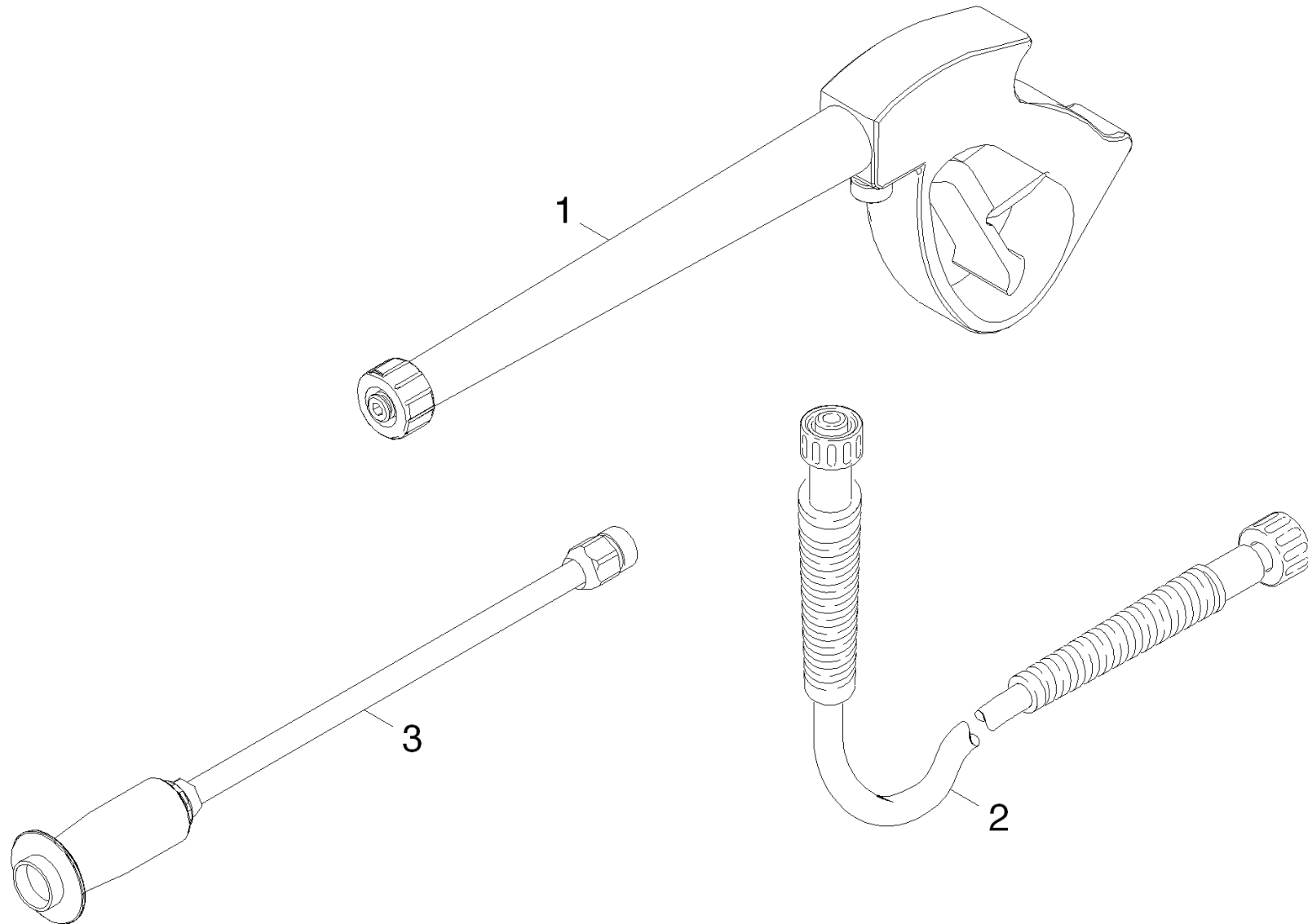
3.2 ACTUATION



3.2 ACTUATION

POS	DESCRIPTION ADDITIONAL INFORMATIONS	PART NO	QTY.	FROM SER.NR.	UP TO SER. NR.
1	DRIVE BOLT 7/16" -20UNF-2B	91522520	1		
2	Radial shaft seal ring A26x37x7 -NBR DI	73670180	1		
3	HOUSING VERTIKAL	50931990	1		
4	OIL 1 LITRE	62880500	1		
5	O RING 80 X 3	63624710	1		
6	AXIAL BALL BEARING	90870100	1		
7	SWASH PLATE	64012910	1		
8	NUT	90863030	1		
10	SOCKET HEAD SCREW,5/16"-24 x1.25"	91960210	4		

4.0 Accessories



4.0 Accessories

POS	DESCRIPTION ADDITIONAL INFORMATIONS	PART NO	QTY.	FROM SER.NR.	UP TO SER. NR.
1	CHINESE BIT101	91120180	1		
2	HP HOSE DN6/25'/2500PSI/BLK/PLST	91623240	1		
3	HI/LO LANCE	91125300	1		